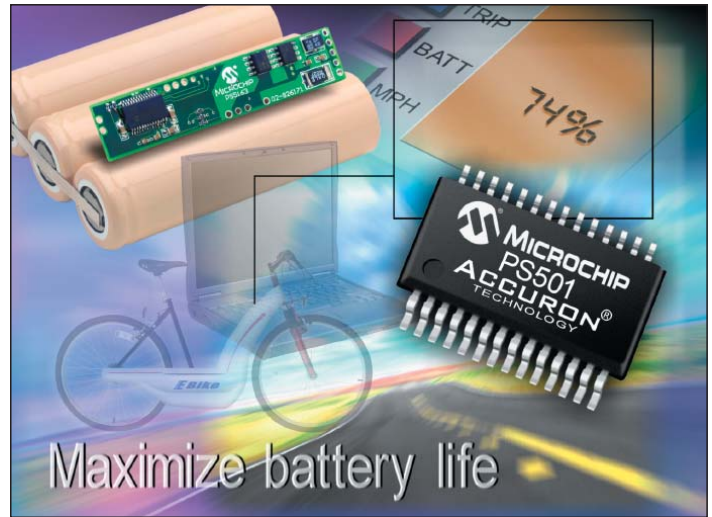
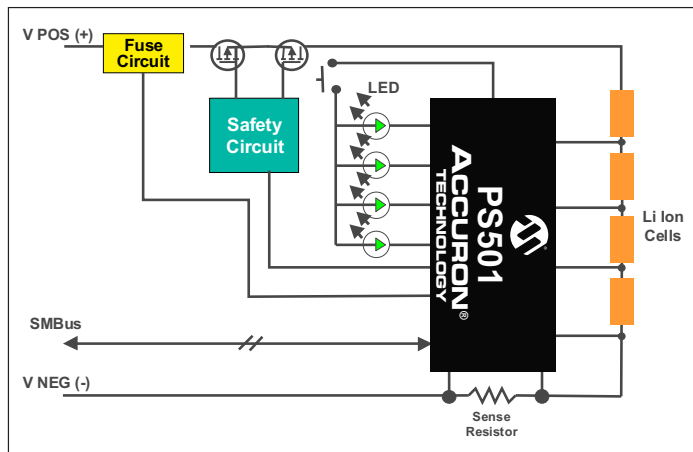


The Microchip PS501 Battery Manager

The PS501 is a full-featured, SBS compliant battery manager that supports both 2-4 cell Li Ion/Li Polymer or 6-12 cell NiMH/NiCD battery packs. The PS501 incorporates the industry recognized PIC18F RISC microcontroller, 16 Kbytes of field reprogrammable Flash memory, 12 GPIO and a high resolution 16-bit A/D. To further optimize system design, the PS501 integrates a precision internal oscillator, temperature sensor and regulator. The PS501 implements Microchip's proprietary Accuron® technology, with advanced battery management algorithms and user customizable functionality, such as an LED-based State-Of-Charge display, charge control and safety for Lithium rechargeable chemistries. The resulting battery management solution provides the user with accurate State-Of-Charge, battery health and instantaneous battery status.



PS501 Li Ion/Li Poly Application Block Diagram



Features:

- Customizable battery algorithms and 3D cell models in 16 Kbytes Flash memory
- Learned battery parameters stored in 256 bytes of EEPROM
- Precise current, voltage and temperature measurement using an integrating 16-bit Sigma Delta A/D converter
- Integrated temperature sensor, voltage regulator and time base
- 12 GPIO for control of safety, charge control or LED SOC display
- Communication using fully compliant SBData v1.1 command set over SMBus two-wire interface

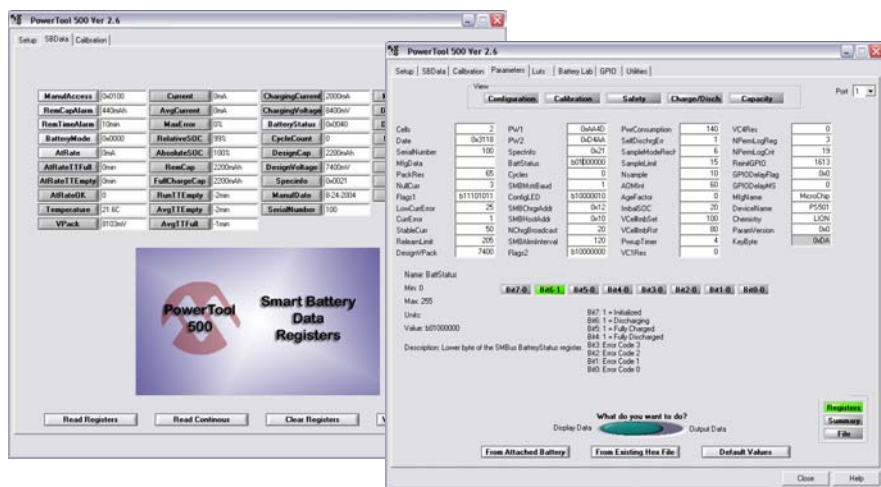
Additional Information:

- Microchip's web site: www.microchip.com
- Microchip's PS501 Data Sheet, [Order No. DS21818](#)
- Microchip's PS5100 Data Sheet, [Order No. DS21903](#)
- Microchip's PS5162 Data Sheet, [Order No. DS21842](#)
- Microchip's PS5163 Data Sheet, [Order No. DS21851](#)
- Microchip's PS5164 Data Sheet, [Order No. DS21850](#)
- Microchip's PS051 PowerInfo™ 2 Configuration Interface Data Sheet, [Order No. DS21815](#)
- Microchip's PS052 PowerCal™ 2 Calibration Platform Data Sheet, [Order No. DS21817](#)
- Microchip's PS050 PowerTool™ 500 Development Software User's Guide, [Order No. DS21885](#)
(PowerTool™ 500 may be referenced as PowerTool™ 2 in previous documents)

Ordering Information

Product	Chemistry	Configuration	Description
PS501	Li Ion/Li Poly or NiMH/NiCD	2-4 cells in series or 6-12 cells in series	IC Single Chip Battery Manager
PS5100	NiMH or NiCD	6-12 cells in series	Battery Management Module without Safety
PS5162	Li Ion/Li Poly	2 cells in series	Battery Management Module w/ Safety
PS5163	Li Ion/Li Poly	3 cells in series	Battery Management Module w/ Safety
PS5164	Li Ion/Li Poly	4 cells in series	Battery Management Module w/ Safety
PS051	All	All	PowerInfo™ 2 Communication Board
PS052	All	All	PowerCal™ 2 Calibration Board
PS5100EV	NiMH or NiCD	6-12 cells in series	Evaluation Kit: Includes PS5100 Battery Management Module without Safety, PS051 PowerInfo™ 2 Communication Module, PS050 PowerTool™ 500 Software and Documentation
PS5162EV	Li Ion/Li Poly	2 cells in series	Evaluation Kit: Includes PS5162 Battery Management Module w/ Safety, PS051 PowerInfo™ 2 Communication Module, PS050 PowerTool™ 500 Software and Documentation
PS5163EV	Li Ion/Li Poly	3 cells in series	Evaluation Kit: Includes PS5163 Battery Management Module w/ Safety, PS051 PowerInfo™ 2 Communication Module, PS050 PowerTool™ 500 Software and Documentation
PS5164EV	Li Ion/Li Poly	4 cell in series	Evaluation Kit: Includes PS5164 Battery Management Module w/ Safety, PS051 PowerInfo™ 2 Communication Module, PS050 PowerTool™ 500 Software and Documentation

PowerTool™ 500 Software



PowerCal™ 2 Board



PowerInfo™ 2 Board



PowerTool 500 (PS050) software – PowerTool 500 software is a Windows® based program that provides a comprehensive, user-friendly environment that simplifies both development and production of smart batteries.

PowerInfo 2 (PS051) hardware – Quick start RS-232 or USB to SMBus interface board enables complete setup and evaluation of ICs.

PowerCal 2 (PS052) hardware – Designed for calibration, programming and testing Microchip based smart batteries in the production environment.

Americas

Web Address: www.microchip.com
 Tech. Support: <http://support.microchip.com>

Atlanta (770) 640-0034
 Boston (978) 692-3848
 Chicago (630) 285-0071
 Dallas (972) 818-7423
 Detroit (248) 538-2250
 Kokomo (765) 864-8360
 Los Angeles (949) 462-9523
 San Jose (650) 215-1444
 Toronto (905) 673-0699

Asia/Pacific

Australia 61-2-9868-6733
 China – Beijing 86-10-8528-2100
 China – Chengdu 86-28-8676-6200
 China – Fuzhou 86-591-750-3506
 China – Hong Kong SAR 852-2401-1200
 China – Shanghai 86-21-6275-5700
 China – Shenzhen 86-755-8290-1380
 China – Shunde 86-757-2839-5507
 China – Qingdao 86-532-502-7355
 India – Bangalore 91-80-2229-0061
 India – New Delhi 91-11-5160-8632
 Japan 81-45-471-6166
 Korea 82-2-554-7200
 Singapore 65-6334-8870
 Taiwan – Kaohsiung 886-7-536-4816
 Taiwan – Taipei 886-2-2500-6610
 Taiwan – Hsinchu City 886-3-572-9526

Europe

Austria 43-7242-2244-399
 Denmark 45-4420-9895
 France 33-1-69-53-63-20
 Germany 49-89-627-144-0
 Italy 39-0331-742611
 Netherlands 31-416-690399
 United Kingdom 44-118-921-5869

As of 08/24/04

Microchip Technology Inc. • 2355 W. Chandler Blvd. • Chandler, AZ 85224-6199 • (480) 792-7200 • FAX (480) 792-9210

Information subject to change. The Microchip name and logo, the Microchip logo, Accuron, dsPIC, KEELQ, microID, MPLAB, PIC, PICmicro, PICSTART, PRO MATE, PowerSmart, rPIC and SmartShunt are registered trademarks of Microchip Technology Inc. in the U.S.A. and other countries. AmpLab, FilterLab, MXDEV, MXLAB, PICMASTER, SEEVAL, SmartSensor and The Embedded Control Solutions Company are registered trademarks of Microchip Technology Inc. in the U.S.A. Analog-for-the-Digital Age, Application Maestro, dsPICDEM, dsPICDEM.net, dsPICworks, ECAN, ECONOMONITOR, FanSense, FlexROM, fuzzyLAB, In-Circuit Serial Programming, ICSP, ICEPIC, Migratable Memory, MPASM, MPLIB, MPLINK, MPSIM, PICDEM, PICDEM.net, PICLAB, PICtail, PowerCal, PowerInfo, PowerMate, PowerTool, rLAB, rPICDEM, Select Mode, Smart Serial, SmartTel and Total Endurance are trademarks of Microchip Technology Inc. in the U.S.A. and other countries. All other trademarks mentioned herein are property of their respective companies. © 2004, Microchip Technology Incorporated, Printed in the U.S.A., All Rights Reserved. 8/04 DS21888A

